



## **Pendant and Wristwatch Paging Transmitter (POCSAG)**

**Model No. M-840L Operation Manual**



The M-840L Pendant and Wristwatch transmitter is designed to directly page the nurses or health care persons with a single "Red Bell" Button depressing. No need to dial any telephone to get the urgent helps. And the installation is simple without any wiring connections. Also, the operation is easy to access every quick emergency aids. Calling Nurse for helps? You can simply just by pressing the "Red Bell" button



#### Main Features

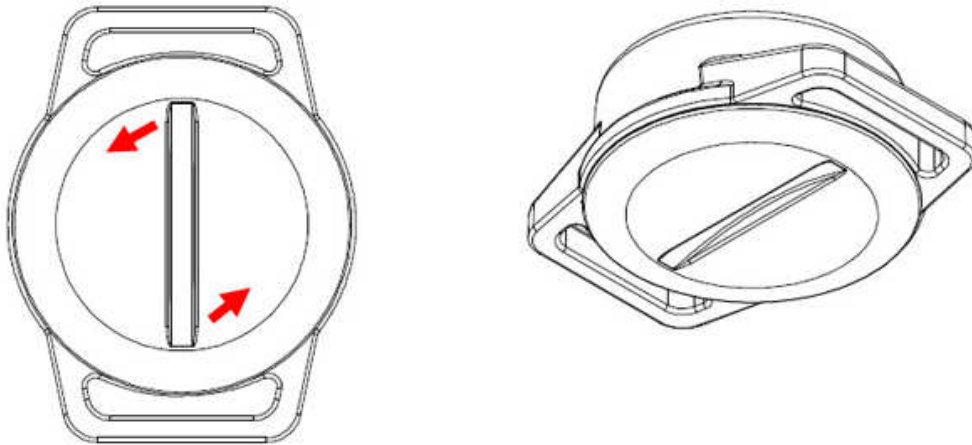
- A. 1 PCB Board with 2 case (1 for Pendant, 1 for Watch )
- B. Water Free resistance in 10M
- C. White color and Black color (If any special color desired with minimum 1,000 PCs)
- D. PLL (Frequency synthesized) 410-490MHz, 868MHz and 915MHz..
- E. Frequency RF power and POCSAG capcode Programming by Micro USB
- F. Long battery life use x1 CR-2450 over 2 years (10 times TX per day)
- G. TX LED indicate and Battery low flashing
- H. Battery low sand a capcode
- I. Continuous key in option for more capcode can be sending.

## M-840L Specifications

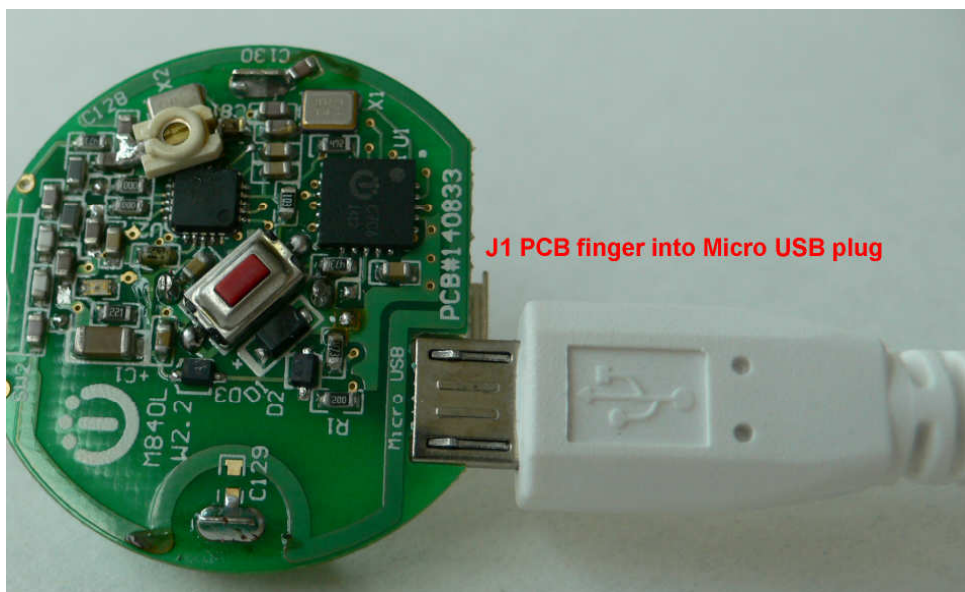
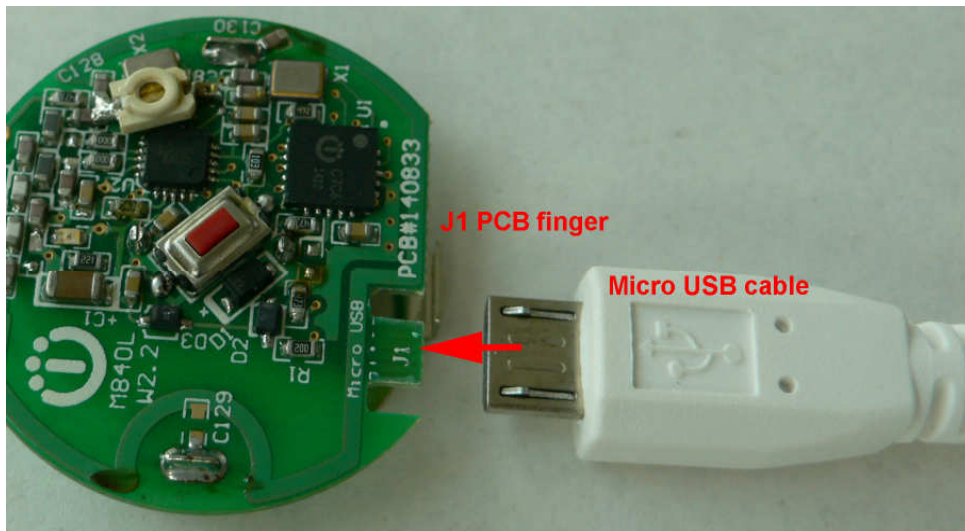
Mode No.	M-840L
Paging format:	POCSAG
Frequency::	410-490MHz, 868-930MHz Synthesized
Baud rate:	512bps / 1200bps / 2400bps.
Message:	Numeric and Alphanumeric (Max 40 Character).
Message data:	Numeric or Alphanumeric.
RF output	1-12 mW. Programming.
Modulation:	FSK ,NRZ.
Deviation:	4.5Khz.
Stability:	±10 ppm.
Pager Capacity:	1 Button and 1 Battery alarm auto trig.
Battery:	CR2450 Lithium battery x 1 PCs.
Battery life	about 2 year. ( 10 Time per day).
Programming I/O:	via Micro USB with P/C.
Size:	39mm X 17mm.
Housing Color:	ABS Black.
Model Weight:	24gs (with batteries).

## A. How to program the M-840L

1). Open the M-840L rear case battery cover



2). Insert the Micro USB programming cable into the M-840L J1



3). Connect the USB cable to the P/C or N/B computer USB Port

## WDIT Synthesizer POCSAG Transmitter (v3.0 on Nov.2013)

For M-810L, M-820L, M-840L, M-851L, NP-115L, TX-115L...

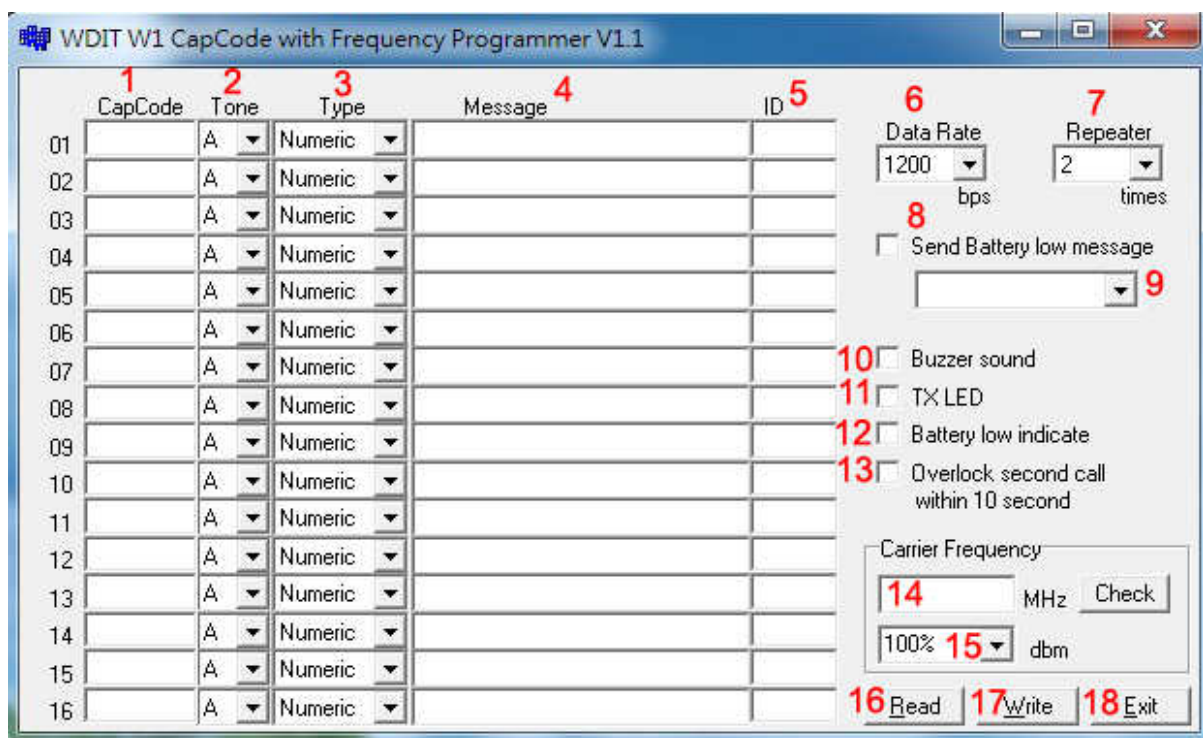
### Tips to set up the programming parameters

1. Install the WDIT W1 programming AP execution file



2. Click W1 and then run the programming software.
3. Connect the USB plug into the your device and the PC USB port .

### Example Programming Screen as Below:



1. Capcode : 01-16 POCSAG address range 0000008-2097151 for POCSAG encoder option.
2. Tone A,B,C,D : For pager alert tone for POCSAG encoder option.
3. Type : For pager numeric or alphanumeric type selection.
4. Message : Pre-programming the encoder messages for pager contents
5. ID : For the ID call system such as each specific nurse ID set-up.
6. Data Rate : POCSAG data speed and baud rate in 512bps or 1200bps or 2400bps types.
7. Repeater : Each paging to be calling repeated times.
8. Send Battery Low Message : ✓ Sending the battery low alarm message by wireless
9. Activate the battery low alarm by any capcode 01-16 selection.
10. Buzzer sound : ✓ for the transmission beep sound.

11. TXLED Transmitter LED : ✓ for the transmission LED indication.
12. Battery Low Indicate : ✓ for the battery LED indication.
13. Overlock second call within 10 second :✓ Prohibited Duplicate calling within 10 seconds.
14. Carrier Frequency: For the Radio Frequency set-up (simply key-in your own frequency).
15. dBm : RF carrier output power set-up.
16. Read : Reading the programmed contents from your devices.
17. Write : Write the programming contents into your devices.
18. Exit : Exiting the programming screen.

#### **Factory Default Set-up**

**The Key button (Red key) push 1 time for Capcope 1 sending with TX LED flashing 1 time.**

#### **Customers Option Set-up by Order Request**

**The Key button (Red key) in a continuous 2 times depressing each for Capcope 2 sending with TX LED flashing 2 times.**

**The Key button (Red key) in a continuous 3 times depressing each for Capcope 3 sending with TX LED flashing 3 times.**

**The Key button (Red key) in a continuous 4 times depressing each for Capcope 4 sending with TX LED flashing 4 times**

August.21.2014



Wireless Devices Inc. Taiwan [www.wirelessdevices.com.tw](http://www.wirelessdevices.com.tw)